

User and Maintenance Manual

MWH-00

Winch Handle




AT THE FRONT **HARKEN**®

1. Glossary	3
2. Symbols	3
3. Safety information	3
4. General advices	4
5. Harken® limited worldwide warranty	4
6. Product introduction	5
7. Product composition	5
7.1 Sizes	6
7.2 Materials	6
7.3 Grip	7
7.4 Lock	7
7.5 Product identification	7
7.6 Versions	8
8. Handle outline	10
9. Use	13
9.1 Use procedure	13
9.2 Power ratio	14
10. Maintenance	15
10.1 Maintenance products	15
10.2 Tools	15
10.3 Disassembly procedure	16
11. Exploded views and parts lists	19
12. Troubleshooting	24
13. Contact us	26

1. Glossary


- Intended use: specific and proper use of the winch for which it is designed.
- Improper use: use of the winch in a different way from that indicated in the instructions for use specified in this manual.
- Qualified operator: person who has attended specialisation and training about the use of the winch.
- User: person who uses the winch regularly.

2. Symbols

 **WARNING!** This denotes the existence of a potential danger, which could cause injury or damage if the information or instructions are not followed.

 **NOTE!** This denotes particularly important information concerning the device.

3. Safety information

 **WARNING!** Read this manual carefully and fully understand it before using the system to avoid personal injury or property damage during system operation.

- This manual is an integral part of the device and it aims to provide all information needed for its safe and correct use and for proper maintenance.
- This manual gives technical information on use and maintenance of the device.
- Improper use can cause severe harms to users, equipment and the boat.
- Never substitute any winch part with one that is not original. Even though they look similar and are both made by Harken®, the non-original part may not be suitable and the warranty will be invalidated.
- Modifications carried out by the user, without explicit written authorization from the manufacturer, will invalidate the warranty and relieve the manufacturer of any responsibility for damage caused by the defective product.
- Refer to the warranty on the web site www.harken.com
- Harken® cannot be responsible for damage or injury resulting from unsafe product use, lack of maintenance or incorrect product and /or system operation.
- Wear suitable clothing when using the winch, to avoid loose ends of fabric becoming entangled in the winch.
- Periodical maintenance must be carried out regularly as specified in the chapter on Maintenance. In case of doubt, contact Harken Tech Service by e-mail at techservice@harken.it
- This manual is available only in English. If you do not fully understand the English language, do not carry out the operations described in this manual. For any doubts, questions or comments contact the Harken distributors nearest to you, Special Project assistance, or contact the Harken Italy Technical Service by e-mail: techservice@harken.it
- See www.harken.com or additional safety information.

4. General advices

Intended use


The Harken handles are designed and manufactured for a use on sailing boats to control sheets, halyards and related sail and rig systems. For any other usage, contact Harken Italy Technical Service by e-mail: techservice@harken.it

Improper use

- The Harken handles must not be used for purposes different from those outlined in “Intended use” chapter, or for purposes not mentioned in this manual or different from those mentioned.
- The Harken handles must not be used if unauthorized modifications or interventions have been carried out.

5. Harken® limited worldwide warranty

The Harken handles are covered by a warranty: if during the warranty period the handle proves defective or suffers breakages, the manufacturer, after checking the device, will repair or replace the defective components as indicated in the warranty.

 **NOTE!**
Refer to the Harken® Limited Worldwide Warranty in the Harken Catalogue and on the website www.harken.com

6. Product introduction

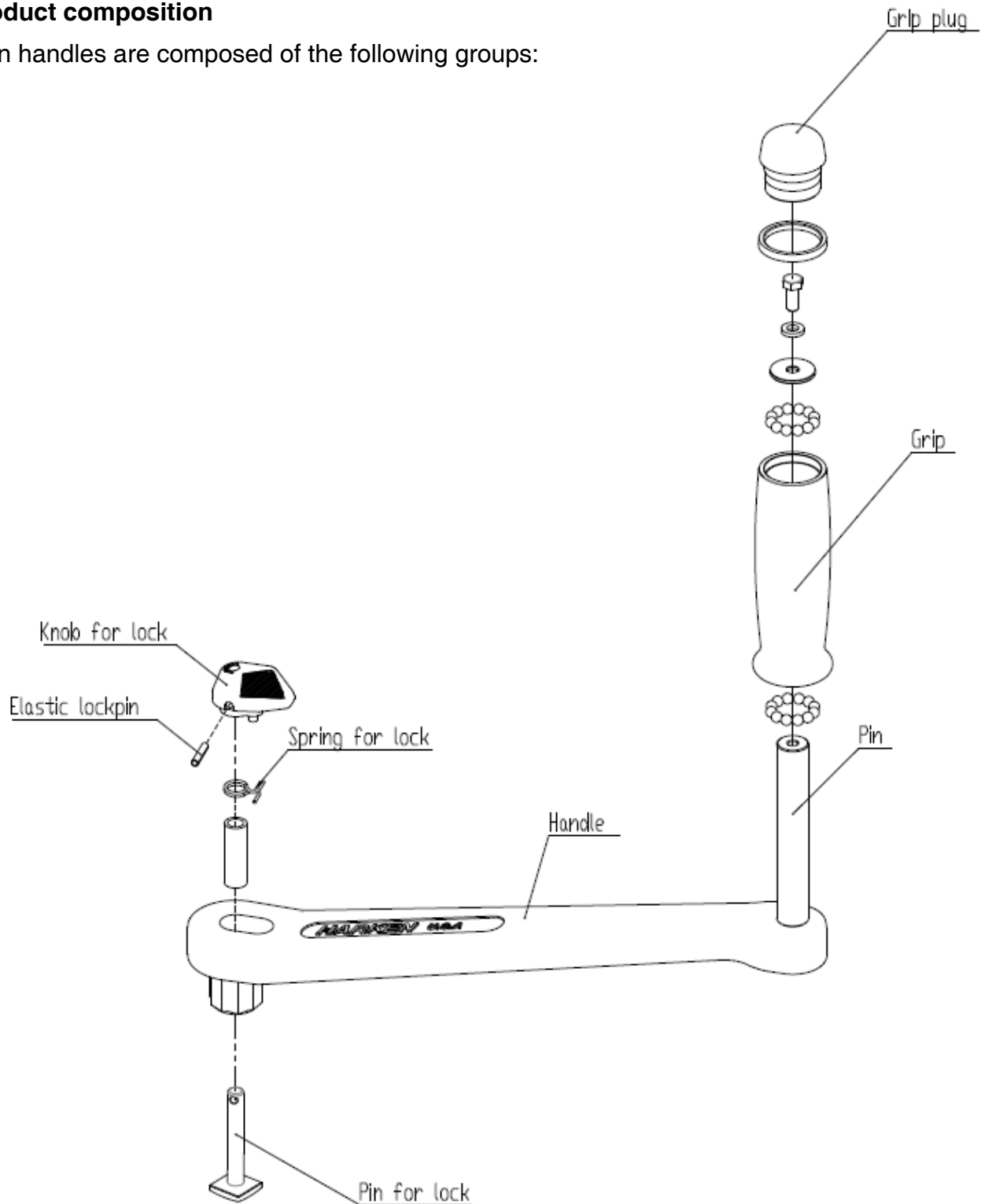
The Harken Winch Handles are useful to enliven winches manually.

Handles are lightweight and fast-acting products, matching a range of cranking needs for both racers and cruisers.

Handles are available in several versions, with different types of grips to transfer power to the winches efficiently in function of the needs of every race or cruise: fast and confidential maneuvers are guaranteed.

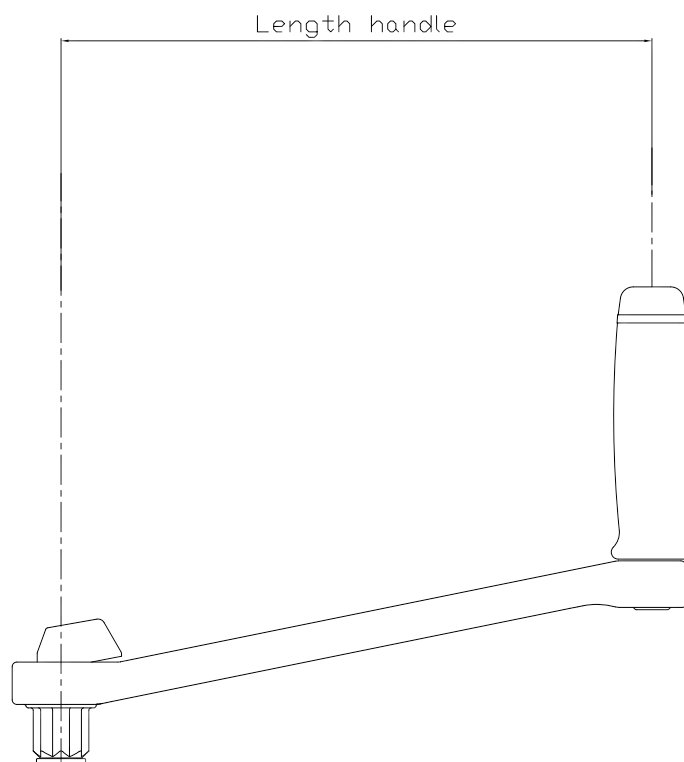
7. Product composition

Harken handles are composed of the following groups:



7.1 Sizes

The Harken winch handles are available in two lengths: 8" (203mm) and 10" (254mm)



NOTE! The length of the handle influences the performances of the manual use of the Winch: for more details, see the 'Use' chapter of this manual.

7.2 Materials

The body of the handle is available in the following materials:



Black anodized aluminum = A



Stainless steel = S



Polished bronze = B



Chrome bronze = C

7.3 Grip

Grip of the handle is available in two versions: standard grip and speed grip (SG).

Speed grip is designed for the racers: the unique grip permits low-load fast cranking using the palm, and powerful two-handed grinding when loads are high.

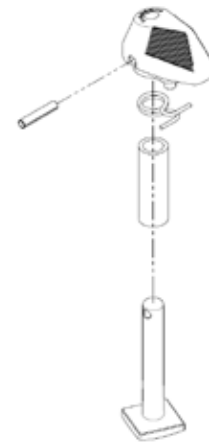
7.4 Lock

Handles can be equipped with lock (L) or without lock (P = Plain):



NOTE!

For all details regarding the use of the lock, refer to the 'Use' chapter of this manual



Lock system

7.5 Product identification

The product identification is based on the length of the handle, on materials of the handle body and on the grip type:

Product name	Size ["]	Material	Version
Handle	8	A	SGLP
	8	A	SGLP
	8	C	SG
	10	A	SG
	10	C	SG
	8	A	P
	8	A	L
	8	B	L
	8	C	L
	10	A	P
	10	A	L
	10	B	L
	10	C	L
	10	A	DL

Legend:

SGLP = Speed grip low profile

SG = Speed grip

P = Plain (without lock)

L = Lock

DL = Dual grip, with lock

7.6 Versions

The Harken winch handles are available in several versions, differing from the grip type and the handle body materials:



ASGLP

Aluminum; Speed Grip; Low Profile

Made for fast one-handed cranking where speed is the focus



ASG

Aluminum; Speed Grip



CSG

Chrome bronze; Speed Grip



AP

Aluminum; Plain; Standard grip



AL
Aluminum; with lock; standard grip



BL
Polished bronze; with lock; standard grip



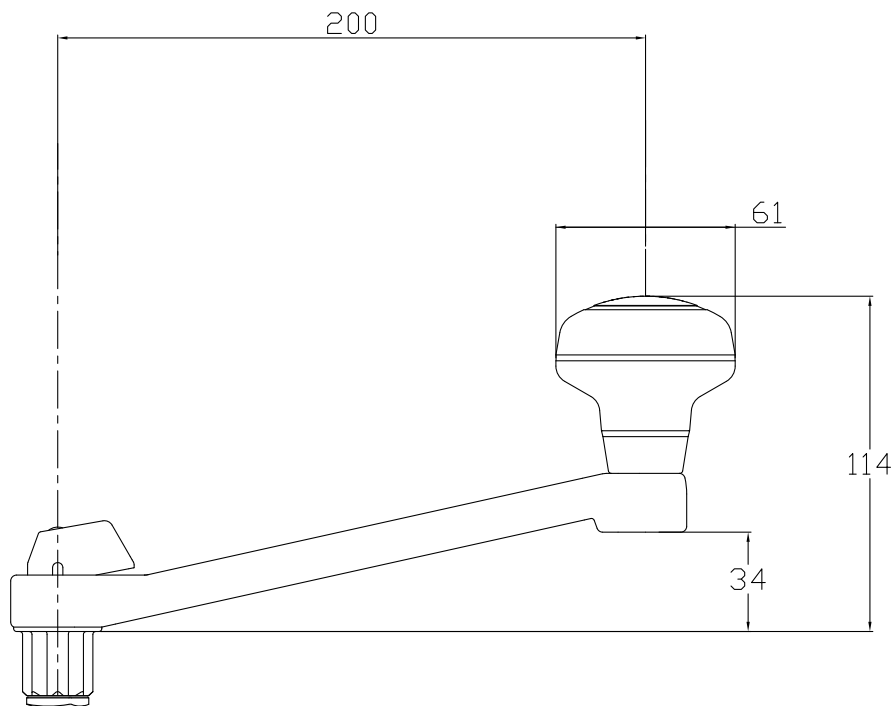
CL
Chrome bronze; with lock; standard grip



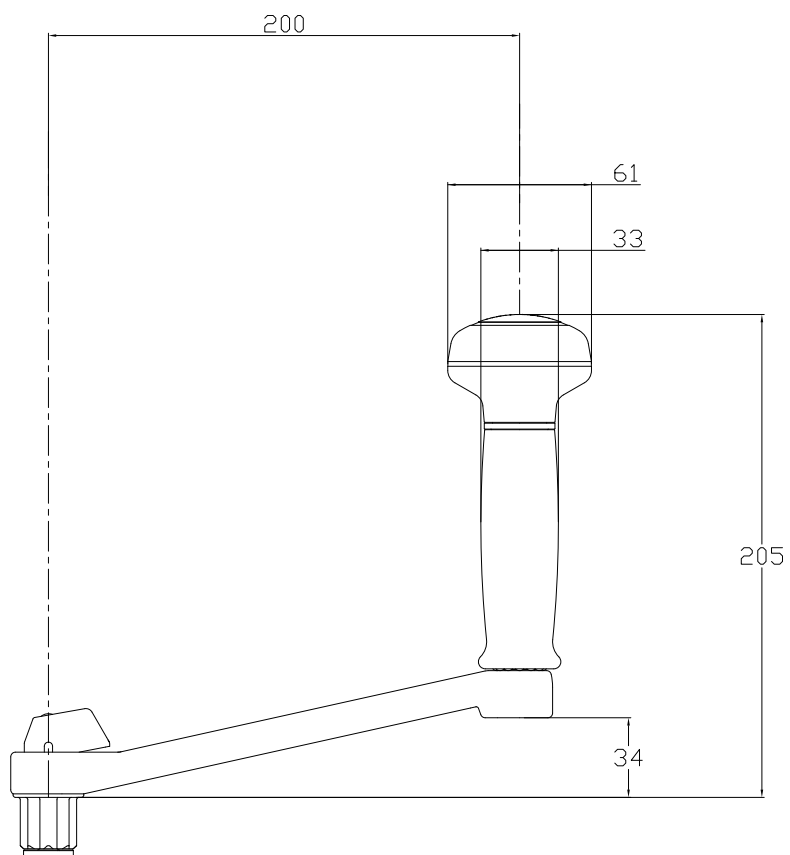
ADL
Aluminum; with lock; standard dual grip

8. Handle Outline

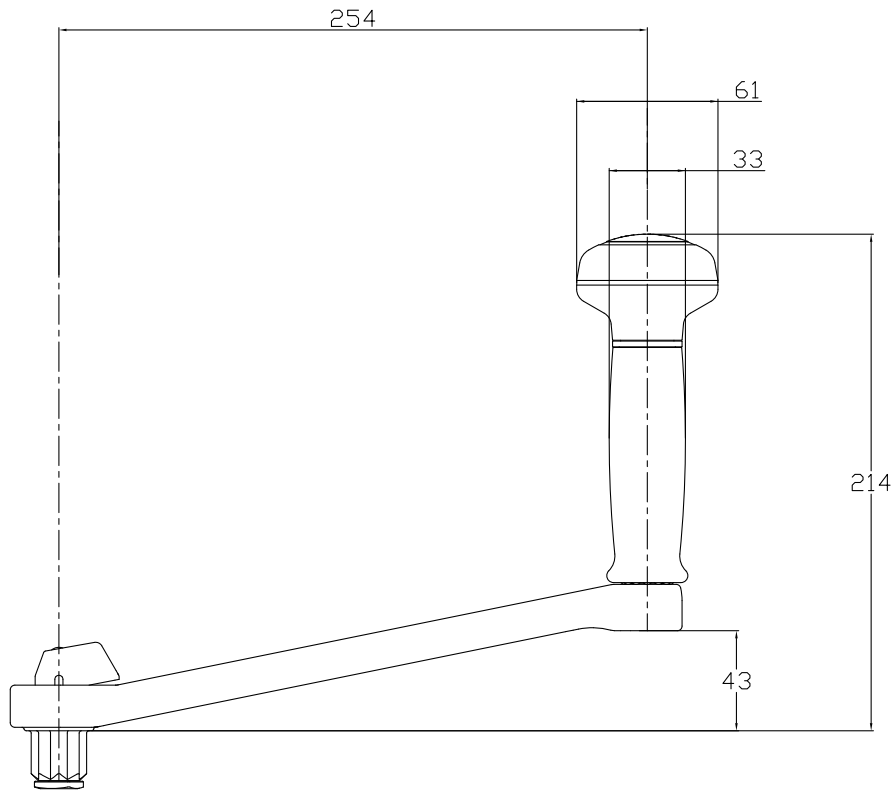
All dimensions are in mm



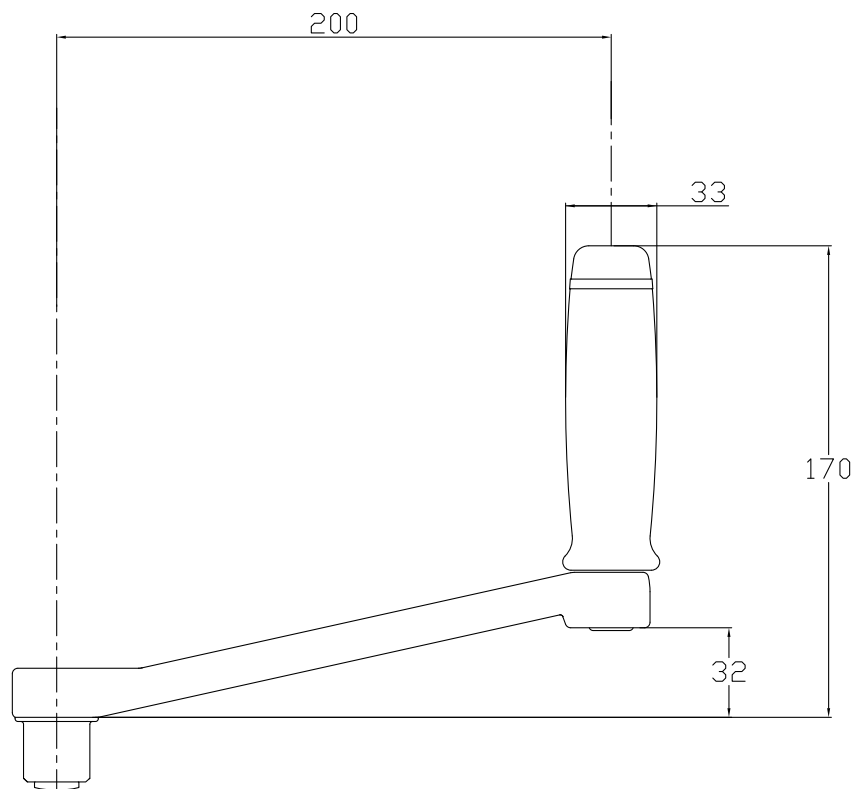
8ASGLP



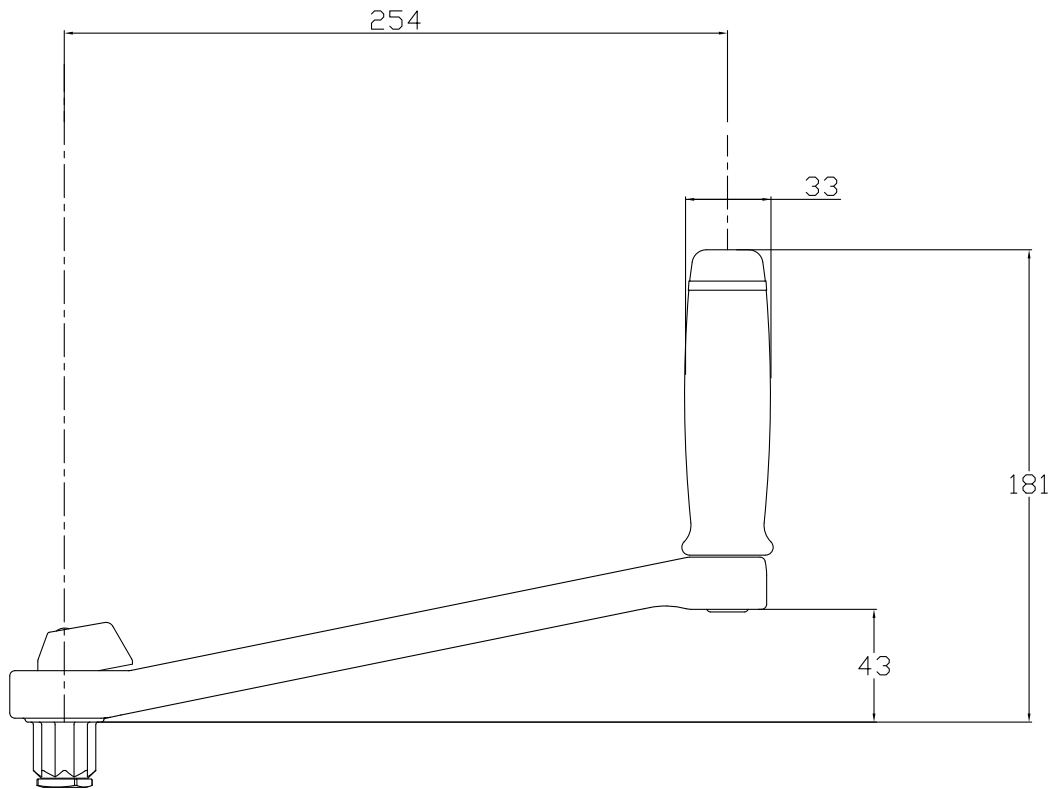
8ASG - 8CSG



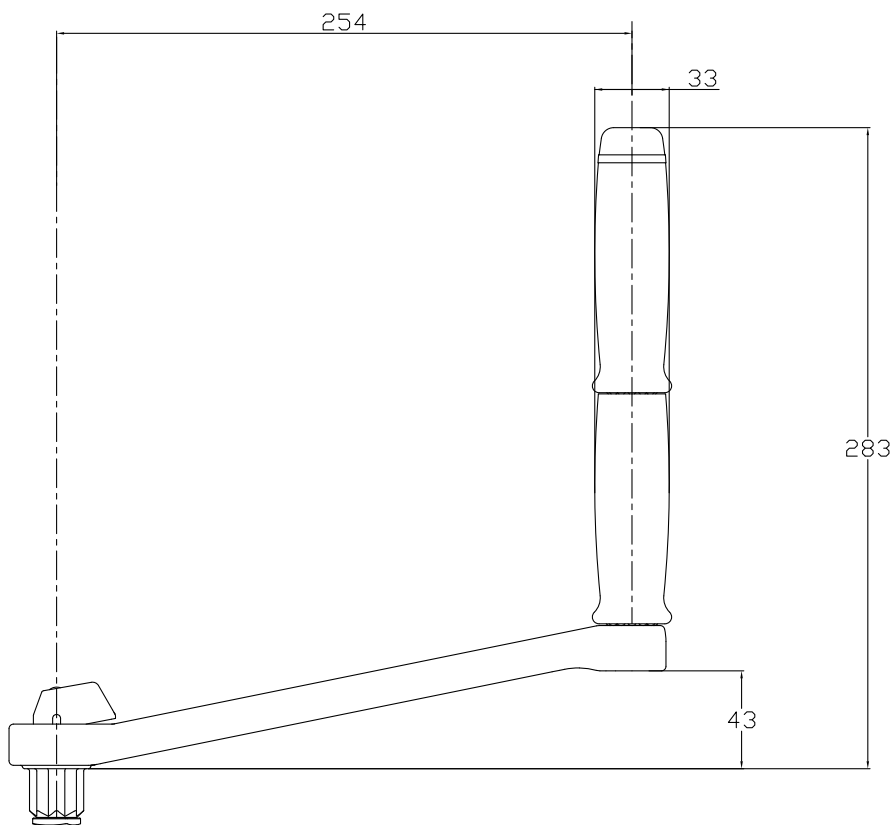
10ASG - 10CSG



8AP - 8AL - 8BL - 8CL



10 AP - 10AL - 10BL - 10 CL



10ADL

9. Use

9.1 Use procedure

In order to use the winch for sailing with the lock handle, follow this procedure:



Step #1: move counterclockwise the lock of the winch handle and insert the lock-in winch handle in the handle socket of the winch.



Step #2: to activate the first speed turn the handle.



Step #3: once first speed is engaged, successive speed changes are obtained automatically by reversing the direction of rotation of the winch handle.



Step #4: after using the handle, move counterclockwise the lock and extract the handle from the socket



NOTE!

For the rotation directions of the handle for the several models of winches, refer to the user's manuals.

For Winches Radial, user's manuals are available in printed paper form inserted into the packaging of the purchased winch, and available on the website www.harken.com. For all versions and models of winches, refer to the corresponding user's and maintenance manuals available on request by the Harken technical service assistance at techservice@harken.it



NOTE!

The same procedure is also effective for the plain handle (no lock): in this case, user must be insert the handle in the socket to use the winch and extract the handle after use.

**WARNING!**

Pay attention not to leave the handle into the socket during the operations of easing and hauling of the sheets on board.

The handle is integral with the rotation of the drum: because of the high rotational speeds of the drum, the handle can disengage from the socket, causing severe injuries or harms to users, equipment and boat.

**WARNING!**

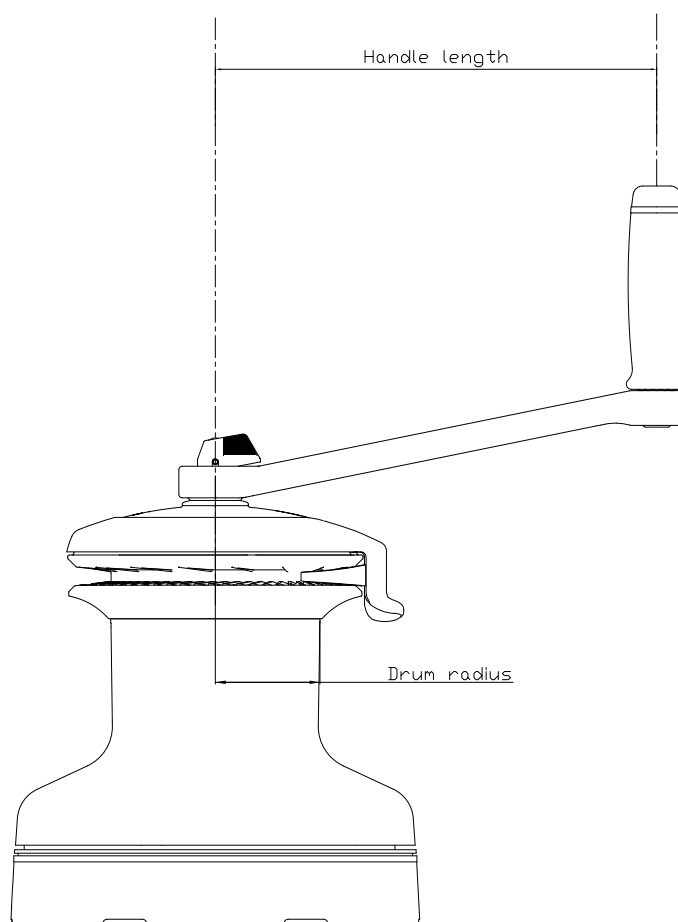
To use the winch manually, ease and haul the sheet with the handle only: do not ease and haul the sheet by hand.

**WARNING!**

For motorized winches, pay attention to insert properly the handle into the socket: failure of the proper insertion can cause the disengage of the handle from the socket, causing severe injuries or harms to users, equipment and boat.

9.2 Power ratio

Length of the handle determines the power ratio of the winch: the ratio *handle length/drum radius* is an index of the power lever with is possible to maneuver the winch.



With the 203 mm handle, power is reduced by 20% than the 254 mm handle: it's ideal for small boats and light air where speed is more important than power.

10. Maintenance

10.1 Maintenance products

The maintenance products listed below must be used:

Medium threadlocker – Blue (i.e. LOCTITE® 243)

Clean the parts and apply the product, spreading it all over the thread as shown.
Assemble the parts and wait at least 45 minutes before use.
Generally, for use on all screws, requires no heating before removal.



Synthetic GREASE Harken - BK4513

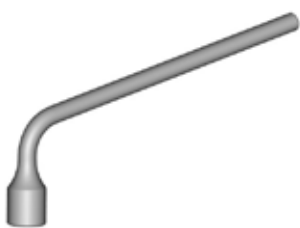
Apply a film of grease with a brush to all the parts indicated, and make sure that the film is visible.
It is important to keep the grip pin greased to increase the efficiency of the rolling of the grip balls.

Oil Harken - BK4521

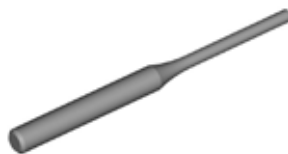
Apply the oil to the parts indicated in the internal maintenance procedure below, taking care to lubricate the surfaces completely.
Rotate or slide the oiled parts to distribute the product in a uniform way. Remember to oil the pawls and not to use grease on them.

10.2 Tools

Make sure having the correct tools needed to disassemble the winch:



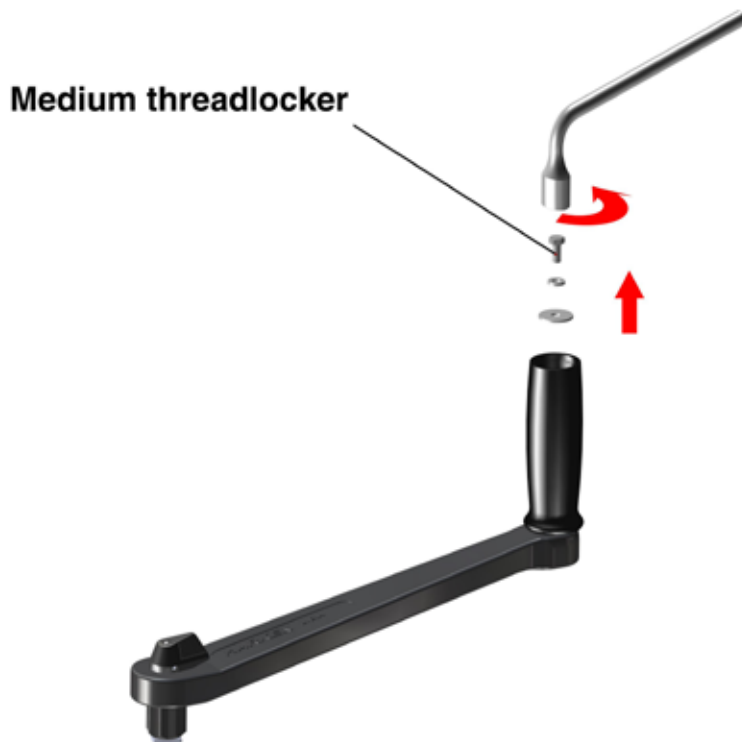
N°1x M5 socket wrench



N°1x punch: Ø3mm



N°1x hammer with rubber head

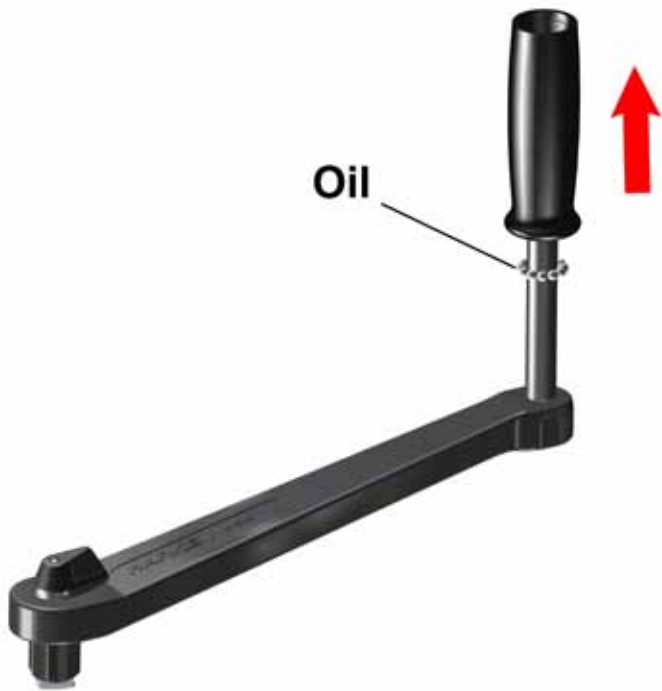
10.3 Disassemble procedure**Step #1****Step #2**

Medium threadlocker

Step #3

Oil

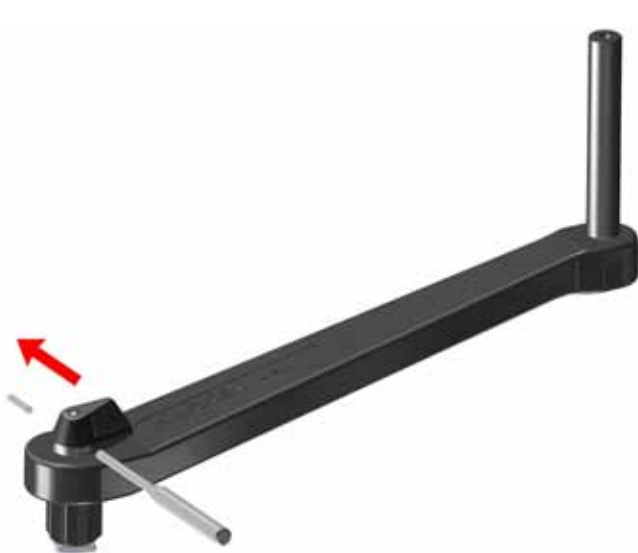
Step #4



Step #5



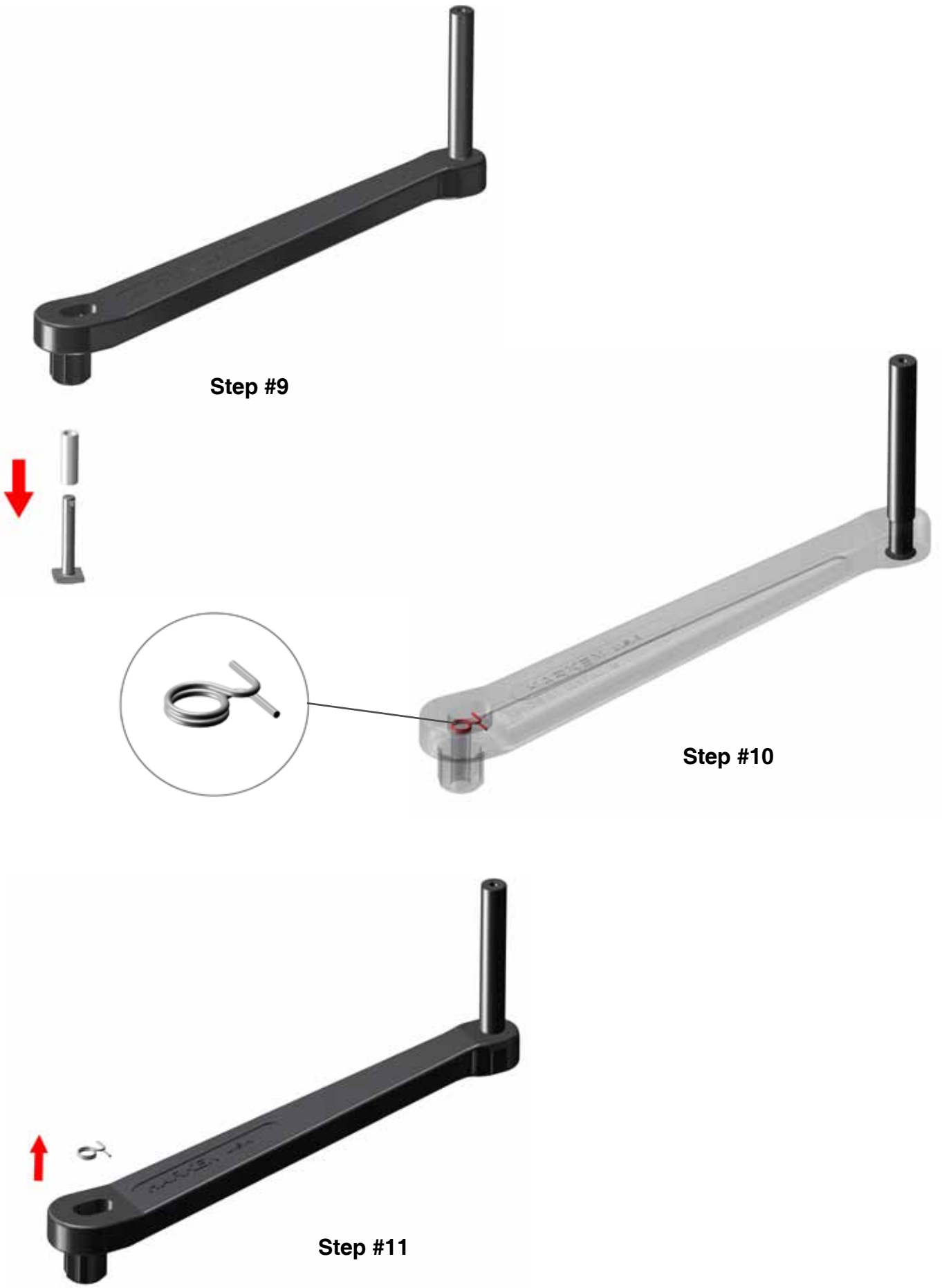
Step #6



Step #7



Step #8



11. Exploded views and parts lists



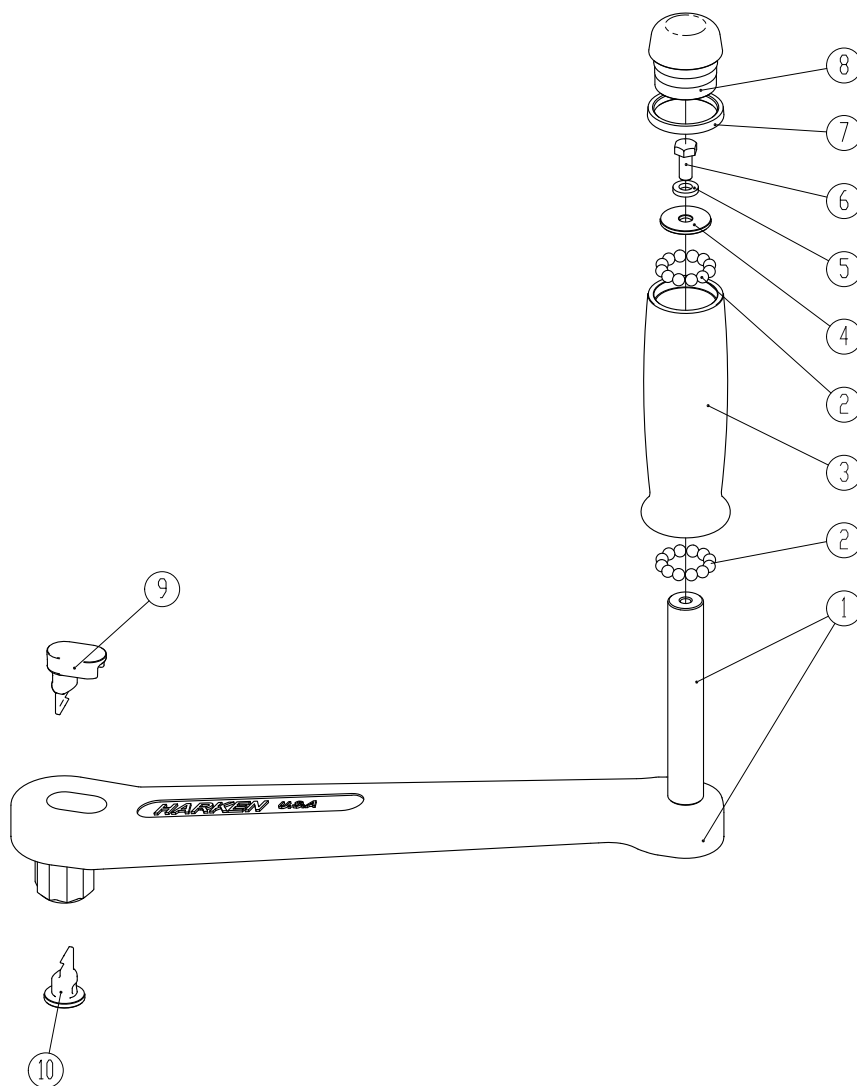
NOTE!

Below are listed the parts lists of the several versions of winch handles: check the correspondance of the proper preassembly handle of each version.

Handle versions

10AP

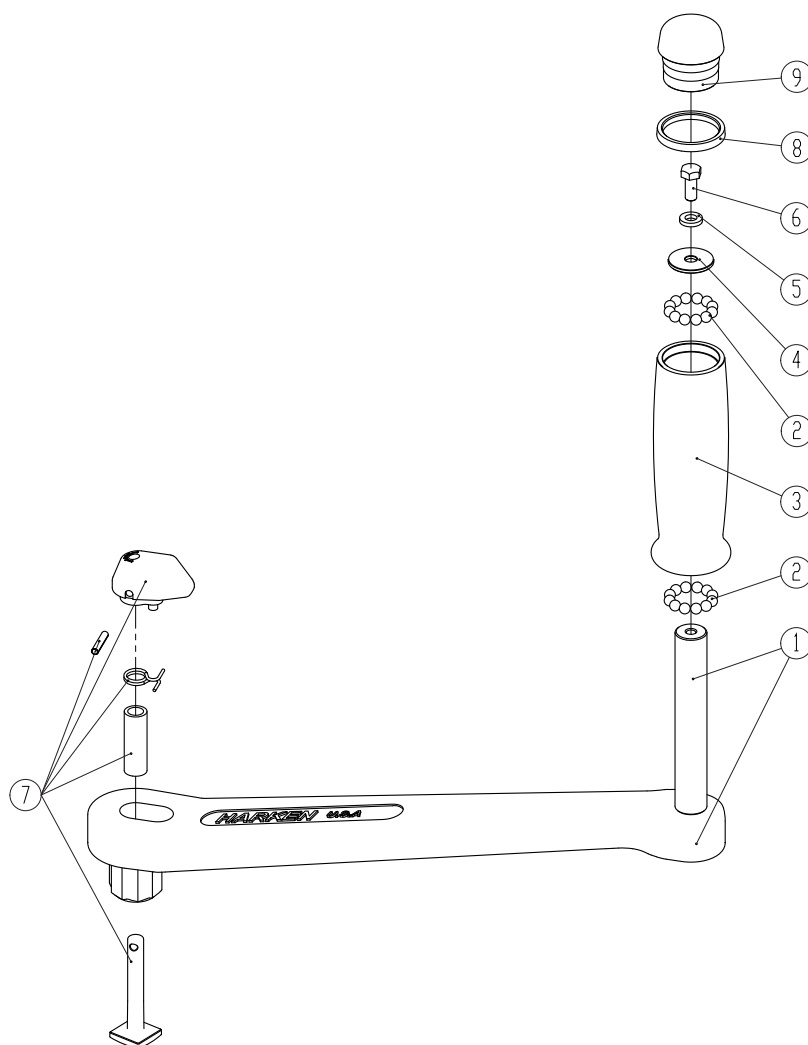
8AP



Pos.	Q.ty	Code	Description
1	1		Preassembly handle 10" A
	1		Preassembly handle 8" A
2	24	M0633702	Sphere 3/16
3	1	S277640082	Grip for handle
4	1	M6053403	Apron washer Ø5.3xØ20x1.6
5	1	M0646303	Washer DIN6798-A2
6	1	M0615303	Screw M5x12 UNI EN ISO 4017
7	1	S281710080	Red ring for grip
8	1	S277690082	Grip plug
9	1	S6951700C0	Harken handle upper half cap
10	1	S6951800C0	Harken handle upper half cap

Handle versions

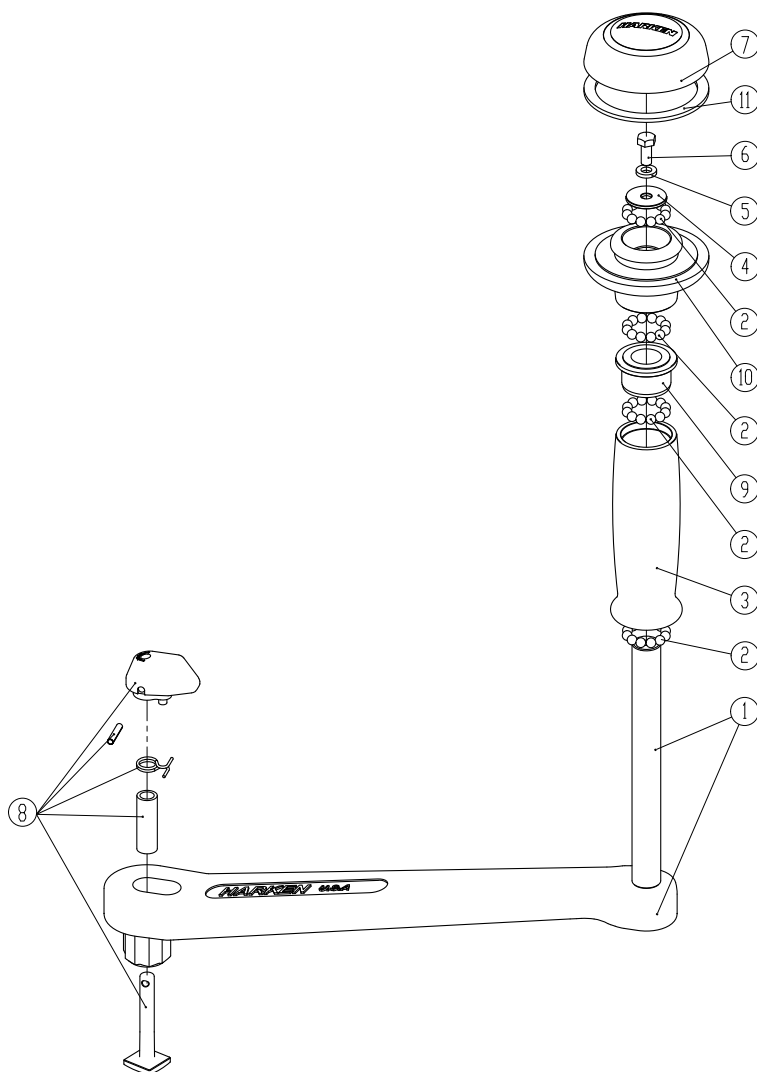
- 10AL
- 8AL
- 10CL
- 8CL
- 10BL
- 8BL



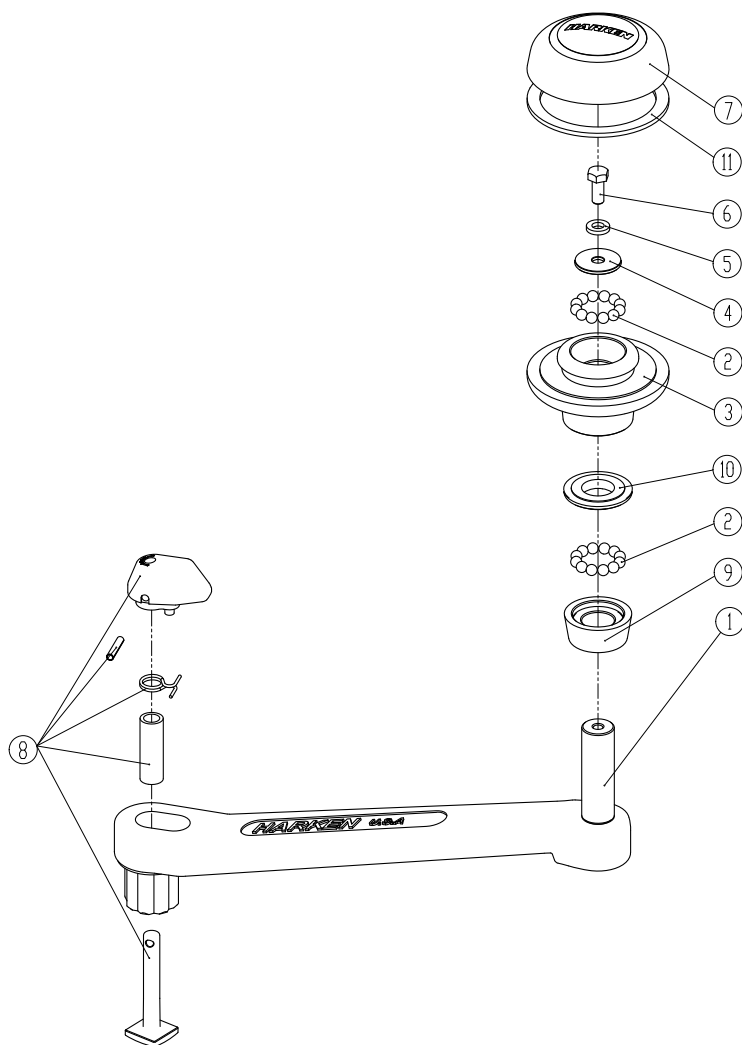
Pos.	Q.ty	Code	Description
1	1		Preassembly handle 10" A
	1		Preassembly handle 8" A
	1		Preassembly handle 10" CL
	1		Preassembly handle 8" CL
	1		Preassembly handle 10" BL
	1		Preassembly handle 8" BL
2	24	M0633702	Sphere 3/16
3	1	S277640082	Grip for handle
4	1	M6053403	Apron washer Ø5.3xØ20x1.6
5	1	M0646303	Washer DIN6798-A2
6	1	M0615303	Screw M5x12 UNI EN ISO 4017
7	1	BK4517	Lock-in handle repair kit
8	1	S281710080	Red ring for grip
9	1	S277690082	Grip plug

Handle versions

10ASG
8ASG
10CSG
8CSG
10BSG



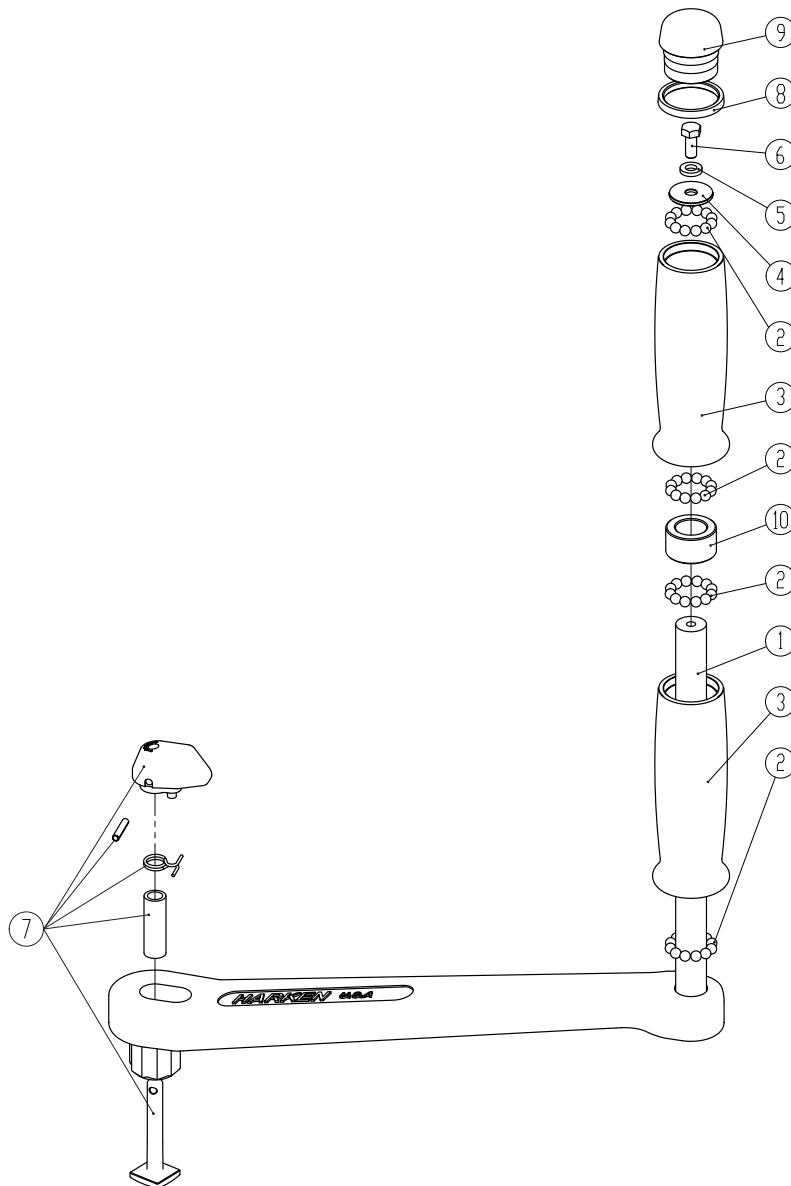
Pos.	Q.ty	Code	Description
1	1		Preassembly handle 10" ASG
	1		Preassembly handle 8" ASG
	1		Preassembly handle 10" CSG
	1		Preassembly handle 8" CSG
	1		Preassembly handle 10" BSG
2	48	M0633702	Sphere 3/16
3	1	S277640082	Grip for handle
4	1	M6053403	Apron washer Ø5.3xØ20x1.6
5	1	M0646303	Washer DIN6798-A2
6	1	M0615303	Screw M5x12 UNI EN ISO 4017
7	1	S3512400C2	Plug for speed grip
8	1	BK4517	Lock-in handle repair kit
9	1	S351260082	Bushing for grip
10	1	S3512500C0	Knob support
11	1	S351270082	Red washer

Handle versions
8ASGLP


Pos.	Q.ty	Code	Description
1	1		Preassembly handle 8" ASGLP
2	24	M0633702	Sphere 3/16
3	1	S3512500C0	Knob support
4	1	M6053403	Apron washer Ø5.3xØ20x1.6
5	1	M0646303	Washer DIN6798-A2
6	1	M0615303	Screw M5x12 UNI EN ISO 4017
7	1	S3512400C2	Plug for speed grip
8	1	BK4517	Lock-in handle repair kit
9	1	S358300085	Handle spacer
10	1	S358310082	Bushing for grip
11	1	S351270082	Red washer



Handle version

10ADL



Pos.	Q.ty	Code	Description
1	1		Preassembly double handle 10" ADL
2	48	M0619580	Sphere 3/16
3	2	S277640082	Grip for handle
4	1	M6053403	Apron washer Ø5.3xØ20x1.6
5	1	M0646303	Washer DIN6798-A2
6	1	M0615303	Screw M5x12 UNI EN ISO 4017
7	1	BK4517	Lock-in handle repair kit
8	1	S281710080	Red ring for grip
9	1	S277690082	Grip plug
10	1	S323310085	Spacer for double grip handle

12. Troubleshooting

Problems	Possible causes	Possible solutions
The handle with lock does not enter into the socket of the winch	The knob for lock is not rotated for the insertion	<p>Rotate the knob for lock to insert the handle into the socket</p> 
	The lock system could be broken	<p>Substitute the lock system with spare kit BK4517: disassemble the handle following steps from #6 to #11.</p>  <p>Spare kit is purchasable online on website www.harken.com</p>
The grip does not rotate easily	Balls do not properly slide	<p>Follow the maintenance of the balls as indicated in the disassembly procedure in steps #4 and #5</p>
	Balls could be broken or damaged	<p>Substitute the balls of the grip system: contact the tech service at techservice@harken.it</p>

13. Contact us

Headquarter

Harken® U.S.A

N15W24983 Bluemound Rd.
Pewaukee, WI 53072, USA

Tel: 262.691.3320

Email: harken@harken.com

Web: <http://www.harken.it/>

Tech Service

Email: technicalservice@harken.com

Manufacturer

Harken® Italy S.p.A.

Via Marco Biagi, 14
22070 Limido Comasco (CO) Italy
Tel.: (+39) 031.3523511

Email: info@harken.it

Web: <http://www.harken.it/>

Tech Service

Email: techservice@harken.it